



CR-SERIES

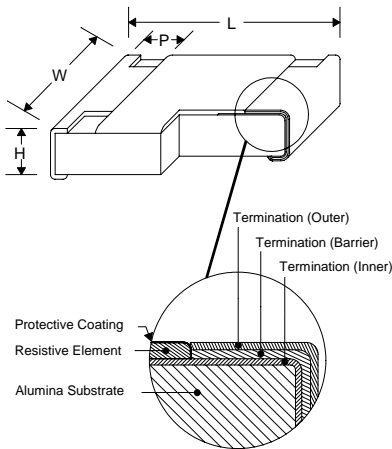
SURFACE MOUNT RESISTORS

PRECISION RESISTIVE PRODUCTS, INC.
 202 MACK LANE, MEDIAPOLIS, IA 52637
 (319)394-9131 FAX (319)394-9280
 E-Mail info@prpinc.com
 PRP HOME PAGE <http://www.prpinc.com>

- Thick Film
- Standard Industry Case Sizes 0201, 0402, 0603, 0805, 1206, 1210, 2010, 2512
- Power Ratings 1/20W, 1/16W, 1/10W, 1/8W, 1/4W, 1/2W & 1W
- Temperature Coefficients To 50PPM/°C
- Resistance Tolerances 0.5%, 1% & 5%
- Packaging is Tape & Reel
- Zero Ohm/Jumper Chips

Dimensions Inches (mm) Suggested Pad Layouts

Style	L	W	H	P
CR 0201	0.024 ±0.002 (0.60 ±0.05)	0.012 ±0.002 (0.30 ±0.05)	0.009 ±0.001 (0.23 ±0.03)	0.005 ±0.002 (0.12 ±0.05)
CR 0402	0.039 ±0.002 (1.00 ±0.05)	0.020 ±0.002 (0.50 ±0.05)	0.014 ±0.002 (0.35 ±0.05)	0.008 ±0.004 (0.20 ±0.10)
CR 0603	0.063 ±0.004 (1.60 ±0.10)	0.031 ±0.004 (0.80 ±0.10)	0.020 ±0.004 (0.50 ±0.10)	0.008 ±0.004 (0.20 ±0.10)
CR 0805	0.079 ±0.006 (2.00 ±0.15)	0.049 ±0.006 (1.25 ±0.15)	0.020 ±0.006 (0.50 ±0.15)	0.016 ±0.010 (0.40 ±0.25)
CR 1206	0.126 ±0.006 (3.20 ±0.15)	0.063 ±0.006 (1.60 ±0.15)	0.024 ±0.006 (0.60 ±0.15)	0.020 ±0.010 (0.50 ±0.25)
CR 1210	0.126 ±0.006 (3.20 ±0.15)	0.098 ±0.006 (2.50 ±0.15)	0.024 ±0.006 (0.60 ±0.15)	0.020 ±0.010 (0.50 ±0.25)
CR 2010	0.200 ±0.006 (5.00 ±0.15)	0.100 ±0.006 (2.50 ±0.15)	0.024 ±0.006 (0.60 ±0.15)	0.024 ±0.010 (0.60 ±0.25)
CR 2512	0.250 ±0.006 (6.30 ±0.15)	0.126 ±0.006 (3.20 ±0.15)	0.024 ±0.006 (0.60 ±0.15)	0.024 ±0.010 (0.60 ±0.25)



Specifications

Part Size	Wattage @ 70°C	Working Voltage	TC	Tolerance @ 25°C		
				±0.5%	±1%	±5%
				E-96 & E-24	E-96 & E-24	E-24
0201	1/20	25	±50	1.02K-1M	-	-
			±100	100R-1K	-	-
			±200	-	100R-1M	100R-10M
			±300	-	10R-97.6R	10R-97.6R
0402	1/16	50	±50	100R-1M	-	-
			±100	-	100R-1M	-
			±200	-	10R-10M	10R-10M
			-200 +500	-	1R-9.76R	1R-9.76R
0603	1/10	50	±50	100R-1M	-	-
			±100	-	10R-1M	-
			±200	-	10R-4.7M	10R-22M
			-200 +500	-	1R-9.76R	1R-9.76R
0805	1/8	150	±50	10R-3.3M	-	-
			±100	-	10R-2.2M	-
			±200	-	10R-10M	10R-22M
			-200 +500	-	1R-9.76R	1R-9.76R
1206	1/4	200	±50	10R-4.7M	-	-
			±100	-	10R-1M	-
			±200	-	10R-10M	10R-24M
			-200 +500	-	1R-9.76R	1R-9.76R
1210	1/4	200	±100	-	10R-1M	-
			±200	-	10R-10M	10R-22M
			-200 +500	-	1R-9.76R	1R-9.76R
			±100	-	10R-1M	-
2010	1/2	200	±200	-	10R-1M	10R-22M
			-200 +500	-	1R-9.76R	1R-9.76R
			±100	-	10R-1M	-
			±200	-	10R-1M	10R-22M
2512	1	200	-200 +500	-	1R-9.76R	1R-9.76R
			±100	-	10R-1M	-
			±200	-	10R-1M	10R-22M
			-200 +500	-	1R-9.76R	1R-9.76R



DEDICATION TO EXCELLENCE

(Jumper Chips – resistance value ≤ 0.05Ω, load current to be derated in accordance with figure 1 power derating curve)

Performance Data

Load Life	1000 Hrs. @ 70°C	$\Delta R \pm(5.0\% + .1\Omega)$
Humidity	1000 Hrs. @ 60°C 90~95%RH	$\Delta R \pm(5.0\% + .1\Omega)$
Temperature Cycle	5 Cycles -55°C to 125°C	$\Delta R \pm(2.0\% + .2\Omega)$
Solderability	230°C for 3 Sec.	>95% Coverage
Short Time Overload	2.5 X Rated Voltage 5 Sec.	$\Delta R \pm(2.0\% + .1\Omega)$
Effects of Soldering Heat	10 Sec. @ 270°C	$\Delta R \pm(1.0\% + .1\Omega)$
Operating Temperature Range is - 55°C to +125°C		

Derating Curve

For resistors operated in ambient above 70°C, power dissipation must be derated in accordance with curve in Figure 1.

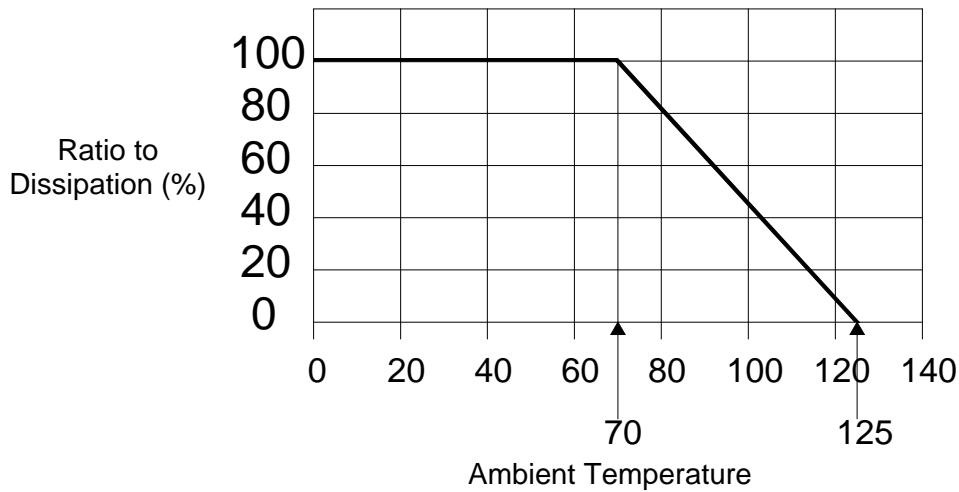


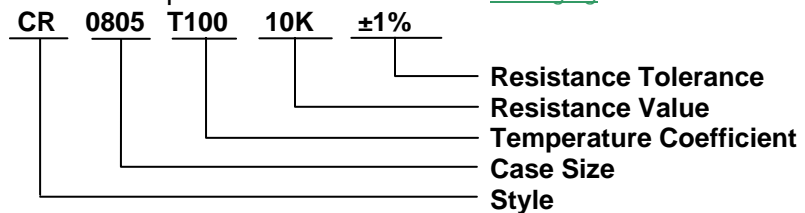
Figure 1

How to Order

[Standard Decade Values](#)

Sample Part Number

[Packaging](#)



Add "T" at the end of the Case Size portion of the part number for lead free termination.